

8 / 16 Channels

Multi Channels Switch Quantity Transmitter



MN1



MN2

Sikcon Technology Co., Ltd

Add.: Guangzhou, Guangdong Province, China

Web: www.sikcon.com

E-mail: info@sikcon.com

8/16 Channels

Switch Quantity Transmitter

Multi channels switch quantity transmitter is a high-performance switch input measurement module that achieves full isolation between switch node input and output, power supply, and communication port, greatly improving the reliability of the product. It is widely used in various industrial measurement and control systems, transmitting the measured switch state signal to the corresponding host through RS485 bus interface, and has 3 relay outputs for remote control. It adopts the standard MODBUS protocol and can be directly connected to various PLC and other devices.



MN1



MN2

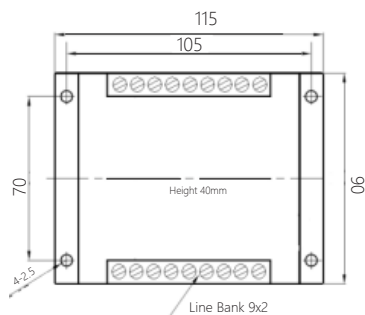
Features

- Can provide 8 or 16 channels of switch data input;
- 24V and 85-265V auxiliary power supplies are available for selection;
- N1 relay free output and N2 3-channel relay output can be provided as needed;
- Using RS485 communication protocol interface output;
- The product adopts an independently designed channel, which is safe and reliable.

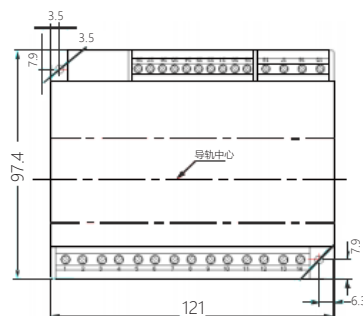
Technical Data

Item	Model			
	SK-08MN1-24	SK-16MN1-24	SK-08MN2-220	SK-16MN2-220
Input Switch Type	Passive Contact (Dry Contact)			
Power Supply	DC24V	DC24V	AC85-265V	AC85-265V
Data Input (Switch Quantity)	8-Channel	16-Channel	8-Channel	16-Channel
Relay Output	0	0	3	3
Output Interface	RS485 (1200m, ±15KV ESD)			
Baud Rate	1200, 2400, 4800, 9600, 19.2K bps			
Refresh Time	100 mS			
Voltage Resistance	DC 2500V			
Rated Power	<750 mW			
Working Temperature	-20°C ~ +60°C			
Installation Method	Guide Rail or Screw			
Dimension	115*90*40mm		121*97.4*56mm	

Installation Dimensions (Unit: mm)



MN1



MN2