

SKIM400

Insulation Monitoring Device



Sikcon Technology Co., Ltd.

Add.: Guangzhou, Guangdong Province, China

Web: www.sikcon.com

E-mail: info@sikcon.com

SKIM400

Insulation Monitoring Device

SKIM400 is an insulation monitoring device for main circuits and control of IT system (unearthed) circuits below AC, DC and AC/DC 400V. SKIM400 can only perform insulation monitoring independently and cannot be combined with the insulation fault location.



SKIM400 Features

- Applicable to IT systems main circuits and control circuits below AC/DC 400V;
- Internal/external testing/reset buttons;
- Automatic and manual reset functions;
- Multi type, wide range control power input;
- Humanized and easy to operate interface, which can display various parameters and system leakage capacitance;
- DIN rail installation method;
- LCD screen display with backlight;
- Measure and display the insulation resistance of ungrounded systems;
- Measurement and display of leakage capacitance (C);
- Communication via Modbus RS-485;
- Adjustable response delay;
- Two independent alarm relays (each relay has a switching contact);
- N/O or N/C operation (optional).

SKIM400 Technical Data

IT System	IT System Rated Voltage	AC/DC400V	Switching Input	1-Channel Dry Contact Point	Built-in DC15V Power
Power Supply	Voltage	AC 85 ~ 265V (45 ~ 65Hz) DC 18 ~ 36V	Switching Output	2-Channel Relay	1 Normally Open 1 Normally Open/Close
	Rated Power	≤ 4W	Communication Protocol	RS485 1	Modbus RTU 2400~38400bps
Alarm Value	Alarm Value Ran 1	1...9999 k Ω		RS485 2	Modbus RTU 2400~38400bps
	Alarm Value Ran 2	1...9999 k Ω	Display	LCD	128*64
Response Time	at R=0.5xRan and G=1 μ F	≤ 4 s	Connecting Line	RS485	STP 0.2...2.5 mm ²
	Insulation Alarm Delay (ton)	0...9999s	General Characteristics	Test Line	0.2...2.5 mm ²
IT System	Measure Voltage(U1)	50V		Weight	0.2KG
	Internal Resistance (R1)	≥ 152kΩ	Protection Grade	IP20	
	Impedance	≥ 152kΩ	Dimension	100 × 72 × 66mm	
	Permissible Leakage Capacitance (Ce)	≤ 200 μ F	Shell Material	PC+ABS	
	Measurement Value	1 kΩ ...20 MΩ	Working Temperature	-20°C ~ 55°C	
	Measurement Accuracy (1...5kΩ)	± 1 kΩ	Storage Temperature	-30°C ~ 70°C	
	Measurement Accuracy (5kΩ ...1MΩ)	± 15 %	Altitude	≤ 2000m	
Password	off/0...999 (off)	Working Condition	Insulated Resistance	AC4000V	
Fault Memory, Alarm Relay	on/off				
Filters Number	1-10				

SKIM400 Application

SKIM400 is an insulation monitoring device for main circuits and control circuits of IT system (unearthed) below AC, DC and AC/DC 400V.



Mine



Port



Ship



Steel

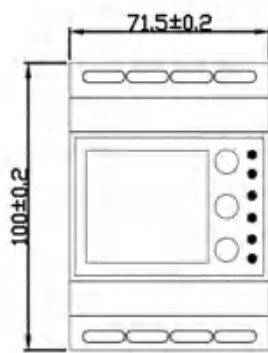


TBM



Power Generation

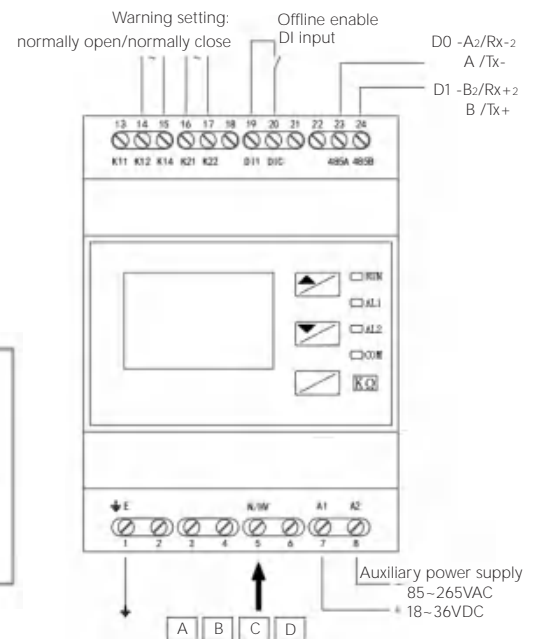
Installation Dimensions (Unit: mm)



Front



Side



Wiring Diagram

